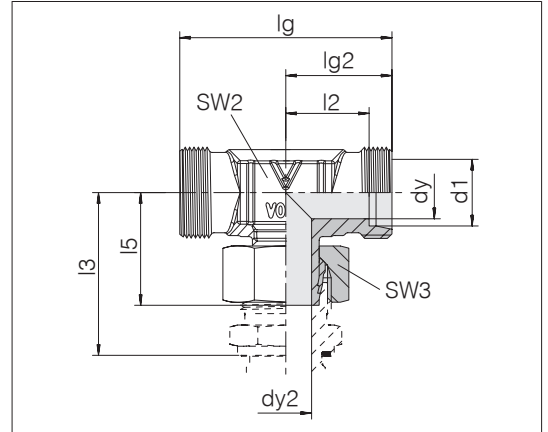


## Swivel branch tees

Tube socket pre-assembled

Tube coupling: 24° in acc. with ISO 8434-1



Series	Pressure	dy	lg	lg2	l2	l5	SW2	SW3	kg/100 ca.	Order-No.	Designation
L 6	PN 315	4	38	19	12	26	12	14	3.8	0160032007	24-SWT-L6
L 8	PN 315	6	42	21	14	27.5	12	17	4.8	0160082007	24-SWT-L8
L 10	PN 315	8	44	22	15	29	14	19	6.0	0160132007	24-SWT-L10
L 12	PN 315	10	48	24	17	29.5	17	22	7.9	0160182007	24-SWT-L12
L 15	PN 315	12	56	28	21	32.5	19	27	14.2	0160232007	24-SWT-L15
L 18	PN 315	15	62	31	23.5	35.5	24	32	21.1	0160282007	24-SWT-L18
L 22	PN 160	19	70	35	27.5	38.5	27	36	27.8	0160332007	24-SWT-L22
L 28	PN 160	24	76	38	30.5	41.5	36	41	38.6	0160382007	24-SWT-L28
L 35	PN 160	30	90	45	34.5	51	41	50	66.0	0160432007	24-SWT-L35
L 42	PN 160	36	102	51	40	56	50	60	101.8	0160482007	24-SWT-L42
S 6	PN 630	4	46	23	16	27	12	17	5.8	0160532007	24-SWT-S6
S 8	PN 630	5	48	24	17	27.5	14	19	7.6	0160582007	24-SWT-S8
S 10	PN 630	7	50	25	17.5	30	17	22	10.3	0160632007	24-SWT-S10
S 12	PN 630	8	58	29	21.5	31	17	24	13.5	0160682007	24-SWT-S12
S 14	PN 630	10	60	30	22	35	19	27	17.9	0160732007	24-SWT-S14
S 16	PN 400	12	66	33	24.5	36.5	24	30	24.1	0160782007	24-SWT-S16
S 20	PN 400	16	74	37	26.5	44.5	27	36	34.8	0160832007	24-SWT-S20
S 25	PN 400	20	84	42	30	50	36	46	63.0	0160882007	24-SWT-S25
S 30	PN 400	25	98	49	35.5	55	41	50	90.8	0160932007	24-SWT-S30
S 38	PN 315	32	114	57	41	63	50	60	141.7	0160982007	24-SWT-S38

Example for comp. :  
EVT06LOMD